

Fitting Instructions: Fuel Tank Cover Kit - A9708100 & A9708101

Warning

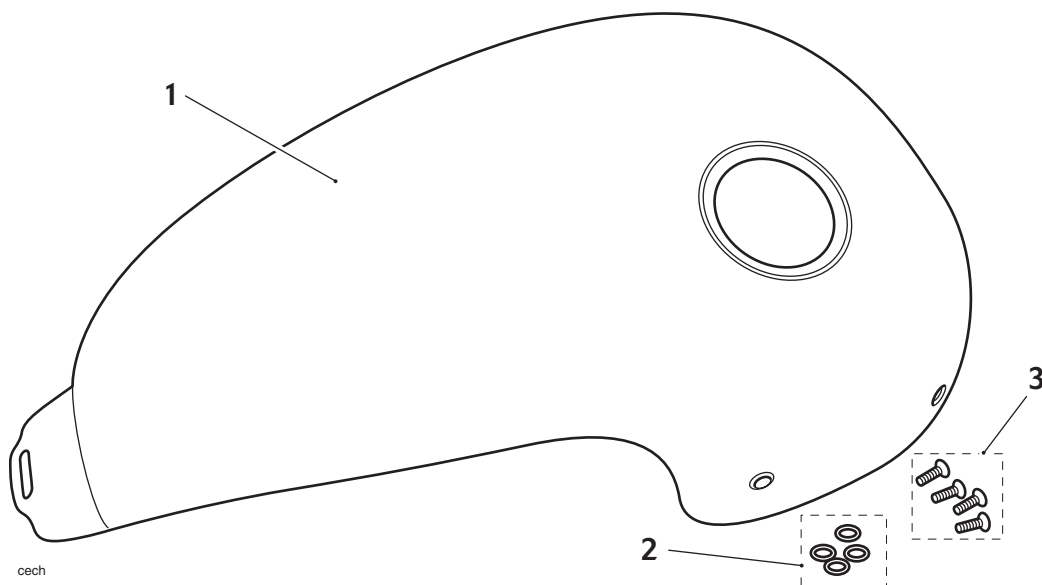
This accessory kit is designed for use on Triumph motorcycles only and should not be fitted to any other manufacturer's motorcycle. Fitting this accessory kit to any other manufacturer's motorcycle, may interfere with the rider and could affect the stability and handling of the motorcycle leading to loss of motorcycle control and an accident.

Warning

Always have Triumph approved parts, accessories and conversions fitted by a trained technician of an authorised Triumph dealer. The fitment of parts, accessories and conversions by a technician who is not of an authorised Triumph dealer may affect the handling, stability or other aspects of the motorcycles operation which may result in loss of motorcycle control and an accident.

Warning

Throughout this operation, ensure that the motorcycle is stabilised and adequately supported on a paddock stand to prevent risk of injury from the motorcycle falling.



Parts Supplied:

1. Tank cover 1 off

3. Screw, M5 x 20 mm 4 off

2. Spacer 4 off

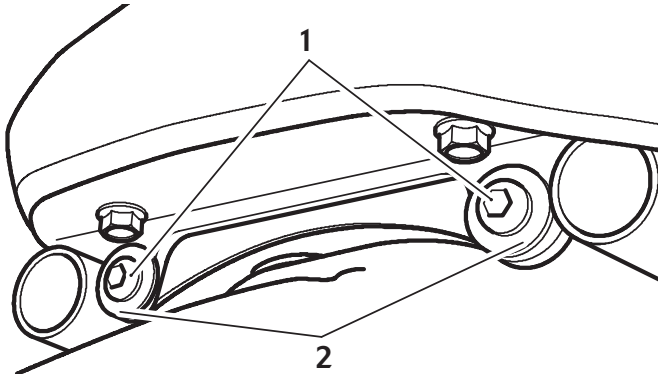
Warning

A torque wrench of known accurate calibration must be used when fitting this accessory kit. Failure to tighten any of the fasteners to the correct torque specification may result in loss of motorcycle control and an accident.

NOTE

- **Completely read all the instructions before commencing the installation and set up of the accessory kit in order to become thoroughly familiar with the kit's features and the installation process.**

1. Undo and remove the screws (and flanged sleeves if fitted) located at the rear of the seat.

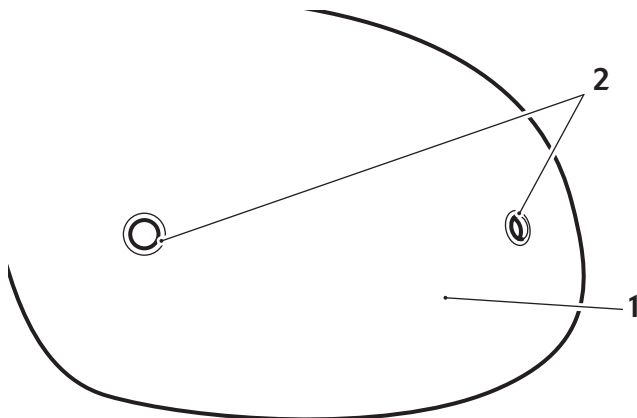


1. **Seat bolts**
2. **Flanged sleeves (if fitted)**

2. Remove the seat.
3. Undo and remove the screws securing the right-hand tank badge assembly to the fuel tank. Collect the badge assembly and retain for later use.

NOTE

- **Retain the tank badge screws for use if the motorcycle is returned to original condition.**
4. Remove the left-hand tank badge assembly in the same manner.
 5. Recover the fuel tank cover and four spacers from the kit. Fit one spacer to each of the fixing holes in the fuel tank cover.



1. **Fuel tank cover**
2. **Spacers (right-hand shown)**

Warning

Observe the warning advise given in the service manual on the safe handling of fuel and fuel containers.

A fire, causing personal injury and damage to property, could result from spilled fuel or fuel not handled or stored correctly.

6. Undo and remove the fuel tank cap.
7. Place the fuel tank cover over the fuel tank then refit the fuel tank cap.
8. Ensure that the spacers are still in position then, using the supplied M5 x 20 mm screws, refit both tank badge assemblies. Tighten the screws to **4½ Nm**.
9. Fit the seat, ensuring it is correctly located behind the fuel tank, and tighten its retaining screws to **10 Nm**.

Warning

If, after fitment of the accessory kit, there is any doubt as to any aspect of the performance of the motorcycle, contact an authorised Triumph dealer and do not ride the motorcycle until the authorised dealer has declared it fit for use. Riding a motorcycle when there is any doubt as to any aspect of the performance of the motorcycle may result in loss of control of the motorcycle leading to an accident.